

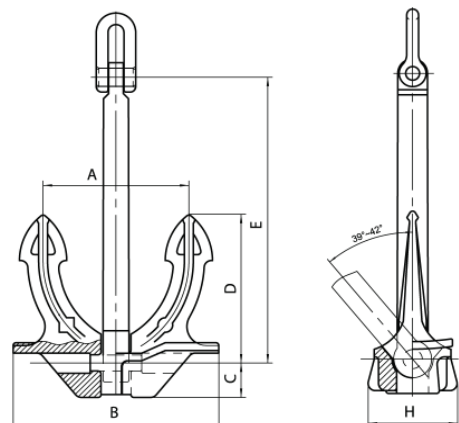
Anchors with identical holding power drawn at the same scale, thus showing the difference in weight.

From Mediterraneo Señales Marítimas we offer our customers all kinds of anchors, conventional and high-power grip ones, as well as specific ones for permanent moorings.

Thanks to our wide experience in the maritime sector, we can guarantee an extensive selection of high reliability products and carry out studies to provide the best option in terms of weights, measures, and type of anchor.

MSM has its own Metal-Mechanic Department to satisfy the needs of our customers.

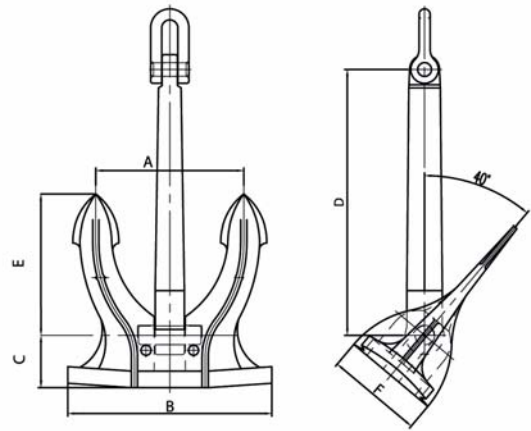
ANCHOR TYPE "HALL"						
Nominal Weight kg	A	B	C	D	E	H
300	540	770	131	570	1,080	331
660	710	1,000	170	740	1,440	430
2,100	1,040	1,470	250	1,090	2,060	640
3,300	1,210	1,710	291	1,270	2,390	740
4,050	1,290	1,830	311	1,350	2,560	790
6,900	1,550	2,190	372	1,620	3,070	940
8,300	1,650	2,330	396	1,720	3,260	1,000
11,100	1,820	2,570	437	1,900	3,600	1,100
16,100	2,050	2,900	493	2,140	4,060	1,250



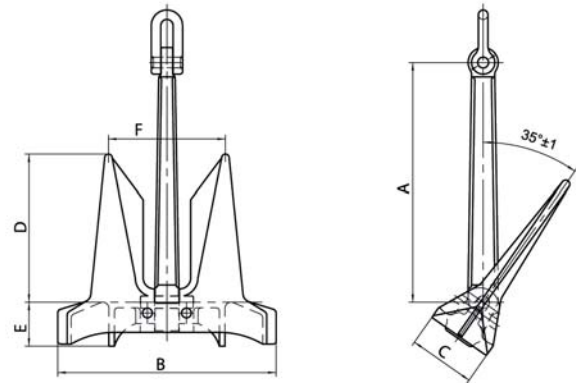


Specifications subject to change without previous notice.

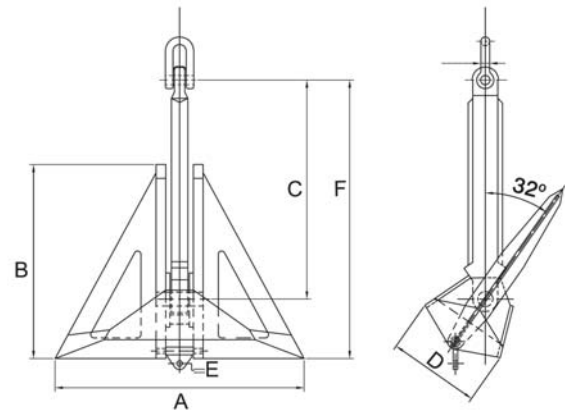
ANCHOR TYPE "SPEK M"						
Nominal Weight kg	A	B	C	D	E	F
300	527	727	168	949	522	344
660	653	900	236	1,175	647	438
2,100	980	1,350	337	1,761	970	650
3,300	1,144	1,578	387	2,058	1,133	760
4,050	1,257	1,732	400	2,258	1,244	821
6,900	1,533	2,112	462	2,757	1,518	1,001
8,300	1,621	2,234	489	2,916	1,605	1,059
11,100	1,726	2,380	580	3,105	1,709	1,138
16,100	2,018	2,782	612	3,632	1,998	1,318



ANCHOR TYPE "AC-14"						
Nominal Weight kg	A	B	C	D	E	F
300	1,075	975	298	660	200	525
590	1,350	1,220	375	829	246	658
1,200	1,710	1,545	470	1,050	315	835
2,100	2,065	1,865	570	1,268	377	1,005
4,500	2,655	2,405	735	1,632	485	1,295
6,000	2,922	2,646	810	1,796	535	1,426
8,700	3,308	2,996	916	2,034	605	1,614
11,100	3,589	3,252	994	2,207	657	1,752
16,100	4,062	3,680	1,125	2,498	744	1,982



ANCHOR TYPE "RT-1"						
Nominal Weight kg	A	B	C	D	E	F
750	1,760	1,460	1,500	600	45	2,000
1,000	1,960	1,560	1,755	740	45	2,605
1,500	2,250	1,800	2,025	840	45	2,660
2,000	2,470	2,000	2,250	930	50	2,960
2,500	2,660	2,130	2,395	1,005	52	3,150
3,000	2,830	2,285	2,565	1,070	55	3,380
4,000	3,180	2,560	2,880	1,190	65	3,790
5,000	3,300	2,660	2,995	1,260	75	3,945
7,000	3,750	2,995	3,365	1,405	78	4,440
10,000	4,270	3,400	3,825	1,600	85	5,040
13,500	4,670	3,730	4,195	1,765	90	5,535



Other types of anchors, weights and dimensions available under request.

